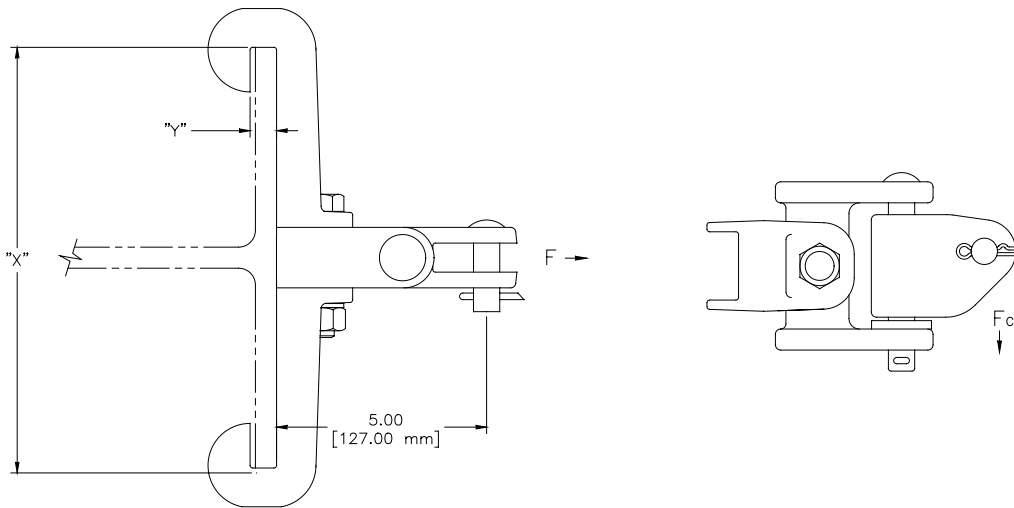


### IMPulse NC, Inc. Beam Style with Hinge

Beam Style clamp assemblies are attachments which include a swivel clevis for use in cantilever assemblies. Beam Style clamps are manufactured utilizing hot-dipped galvanized ductile iron castings. IMPulse NC, Inc. manufactures Beam Style clamps for various beam types and sizes. To determine the Beam Style clamp required see the selection chart located on this page. IMPulse NC, Inc. will supply the fittings necessary for your application. Should your application require further assistance please contact our sales staff.



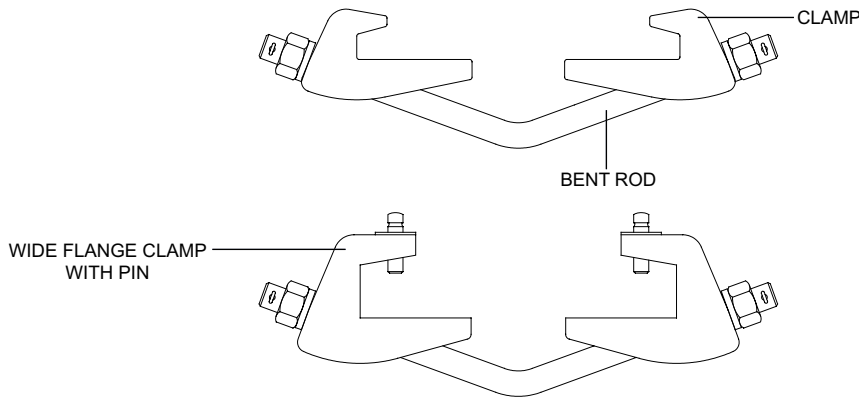
F	FC	Part Number	Beam	X	Y
10,000	4,000	0676792	W10 X 30	5.75 in. [146.05 mm]	.50 in. [12.70 mm]
10,000	4,000	0677966	W8 X 31 & W10 X 39	8.00 in. [203.20 mm]	.50 in. [12.70 mm]
10,000	4,000	0676793	W10 X 45	8.00 in. [203.20 mm]	.63 in. [16.00 mm]
9,000	4,000	056904-3001	W8 X 40	8.00 in. [203.20 mm]	.63 in. [16.00 mm]
9,000	4,000	056904-3004	W10 X 45	8.00 in. [203.20 mm]	.63 in. [16.00 mm]
9,000	4,000	056904-3002	W14 X 68	10.00 in. [254.00 mm]	.63 in. [16.00 mm]
10,000	4,000	0677785	W12 X 53 & W14 X 61	10.00 in. [254.00 mm]	.63 in. [16.00 mm]
10,000	4,000	0676794	W10 X 68	10.00 in. [254.00 mm]	.75 in. [19.05 mm]
9,000	4,000	056904-3003	W12 X 65	12.00 in. [304.80 mm]	.63 in. [16.00 mm]
10,000	3,500	0677962	W12 X 65	12.00 in. [304.80 mm]	.68 in. [17.27 mm]
9,000	4,000	056904-3005	W12 X 72	12.00 in. [304.80 mm]	.75 in. [19.05 mm]
9,000	4,000	056904-3006	W12 X 96	12.00 in. [304.80 mm]	1.19 in. [30.23 mm]
6,000	3,000	0677964	W14 X 90	14.50 in. [368.30 mm]	.68 in. [17.27 mm]

THIS DOCUMENT CONTAINS PROPRIETARY AND CONFIDENTIAL DATA OF IMPULSE NC, INC. NO DISCLOSURE, REPRODUCTION OR ANY USE OF ANY PART THEREOF SHALL BE MADE WITHOUT WRITTEN PERMISSION OF IMPULSE NC, INC.

# Pole Attachments

### IMPulse NC, Inc. Beam Style with Bent Rod

Beam Style with Bent Rod assemblies are attachments which include a high strength bent rod for their use in various assemblies including SWFT and SCAT pull-offs, headspans, cross spans, etc. Beam Style clamps are manufactured utilizing hot-dipped galvanized ductile iron castings. IMPulse NC, Inc. manufactures Beam Style clamps for various beam types and sizes and are rated at *10,000 lbs. minimum ultimate strength*. To determine the Beam Style clamp required see the selection chart located on this page. IMPulse NC, Inc. will supply the fittings necessary for your application. Should your application require further assistance please contact our sales staff.



LISTED BY CLAMP SIZE AND FLANGE WIDTH

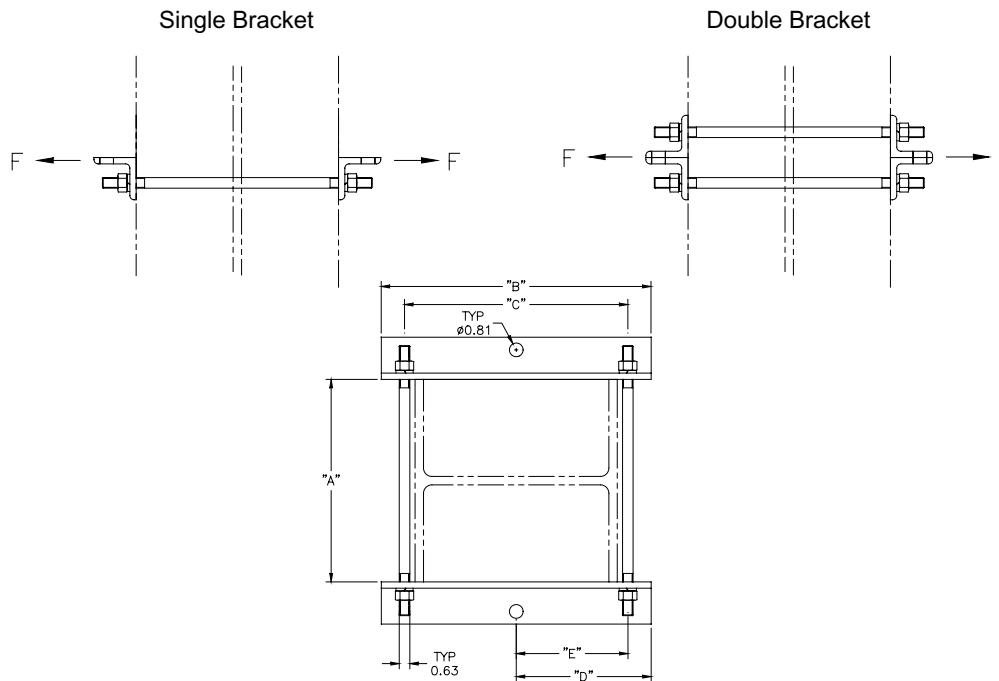
FLANGE WIDTH (IN.)		FLANGE THICKNESS (IN.)		ASSEMBLY 023142-	CLAMP #	BENT ROD # 023144-
MINIMUM	MAXIMUM	MINIMUM	MAXIMUM			
5.78	7.92	0.13	0.63	3001	023143-4001	4001
7.28	9.92	0.13	0.63	3002	023143-4001	4002
9.14	11.78	0.13	0.63	3017	023143-4001	4011
11.04	13.68	0.13	0.63	3005	023143-4001	4005
12.92	15.56	0.13	0.63	3006	023143-4001	4006
14.92	17.56	0.13	0.63	3007	023143-4001	4007
17.04	19.68	0.13	0.63	3014	023143-4001	4010
19.08	21.66	0.13	0.63	3011	023143-4001	4009
7.38	10.02	0.36	0.75	3023	023143-4004	4008
9.72	12.36	0.36	0.75	3026	023143-4004	4003
10.78	13.42	0.36	0.75	3025	023143-4004	4005
12.66	15.30	0.36	0.75	3024	023143-4004	4006
7.08	9.72	0.75	1.03	3009	023143-4002	4008
9.42	12.06	0.75	1.03	3003	023143-4002	4003
10.48	13.12	0.75	1.03	3018	023143-4002	4005
12.36	15.00	0.75	1.03	3019	023143-4002	4006
13.30	15.94	0.75	1.03	3010	023143-4002	4009
6.96	9.60	1.03	1.22	3008	023143-4003	4008
9.30	11.94	1.03	1.22	3022	023143-4003	4003
10.36	13.00	1.03	1.22	3015	023143-4003	4005
12.24	14.88	1.03	1.22	3016	023143-4003	4006
13.18	15.82	1.03	1.22	3004	023143-4003	4004
8.12	10.76	1.19	1.91	3021	023961-4001	4011
10.00	12.64	1.19	1.91	3020	023961-4001	4005
12.44	15.46	1.19	1.91	3013	023961-4001	4004
12.94	15.58	1.22	1.44	3012	023961-4002	4004
9.14	11.78	0.13	0.63	3067	023143-4011	4011

THIS DOCUMENT CONTAINS PROPRIETARY AND CONFIDENTIAL DATA OF IMPULSE NC, INC. NO DISCLOSURE, REPRODUCTION OR ANY USE OF ANY PART THEREOF SHALL BE MADE WITHOUT WRITTEN PERMISSION OF IMPULSE NC, INC.

# Pole Attachments

### IMPulse NC, Inc. Angle Beam Clamp

Angle Beam Clamp assemblies are used in various assemblies where high strength is necessary. The single version of the Angle Beam Clamp has an *ultimate tensile strength of 12,000 lbs. (F)*. This allows for its use in arrangements such as the Bridle Span which provides intermediate pull-off points between the support poles for single wire or simple catenary systems on tight radius curves. The double version of the Angle Beam Clamps have an *ultimate tensile strength of 23,000 lbs. (F)*. This allows for its use in arrangements such as counterweights and high strength terminations on beam structures. The Angle Beam Clamp is manufactured of hot-dipped galvanized steel angle, pre-drilled with galvanized hardware. The chart below indicates the readily available options for the Angle Beam Clamps. IMPulse NC, Inc. will assist your needs pertaining to alternate styles of the Angle Beam Clamp should those represented not meet system requirements.



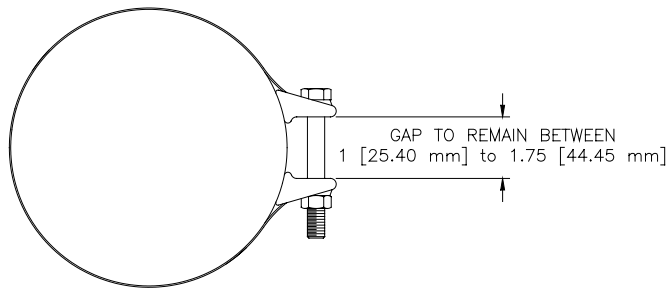
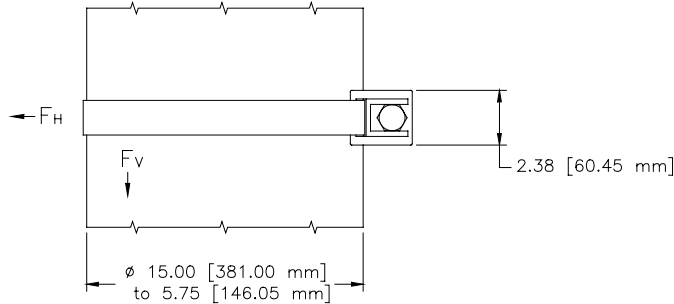
	Part Number	"A"	"B"	"C"	"D"	"E"
Double	056920-3001	8 [203.20]	12 [304.80]	9.24 [234.70]	6 [152.40]	4.62 [117.35]
	056920-3002	10 [254.00]	14 [355.60]	11.24 [285.50]	7 [177.80]	5.62 [142.75]
	056920-3005	12 [304.80]	16 [406.40]	13.24 [336.30]	8 [203.20]	6.62 [168.15]
	056920-3006	14 [355.60]	18 [457.20]	15.24 [387.10]	9 [228.60]	7.62 [193.55]
	056920-3007	12 [304.80]	17 [431.80]	14.24 [361.70]	8.50 [215.90]	7.12 [180.85]
	056920-3008	10 [254.00]	16 [406.40]	13.24 [336.30]	8 [203.20]	6.62 [168.15]
	056920-3009	14.50 [368.30]	19 [482.60]	16.24 [412.50]	9.50 [241.30]	8.12 [206.25]
Single	056920-3010	14 [355.60]	9 [228.60]	6.25 [158.75]	4.50 [114.30]	3.12 [79.25]
	056920-3011	15.69 [398.53]	10 [254.00]	7.24 [183.90]	5 [127.00]	3.62 [91.95]
	056920-3012	14 [355.60]	18 [457.20]	15.24 [387.10]	9 [228.60]	7.62 [193.55]

THIS DOCUMENT CONTAINS PROPRIETARY AND CONFIDENTIAL DATA OF IMPULSE NC, INC. NO DISCLOSURE, REPRODUCTION OR ANY USE OF ANY PART THEREOF SHALL BE MADE WITHOUT WRITTEN PERMISSION OF IMPULSE NC, INC.

# Pole Attachments

**IMPulse NC, Inc. Single Strap Pole Band**

Single Strap Pole Bands can be utilized where light banding requirements are needed. IMPulse NC, Inc. strap pole band designs utilize stainless steel and hot-dipped galvanized ductile iron hardware for added strength and durability. The Single Strap Pole band is rated at a horizontal ultimate load of (FH) 5,000 lbs. and a vertical ultimate load of (FV) 2,500 lbs. Single Strap Pole Bands are used in many light duty applications including, but not limited to, surge arrester assemblies, light duty headspan assemblies, indicator mounting assemblies, etc.

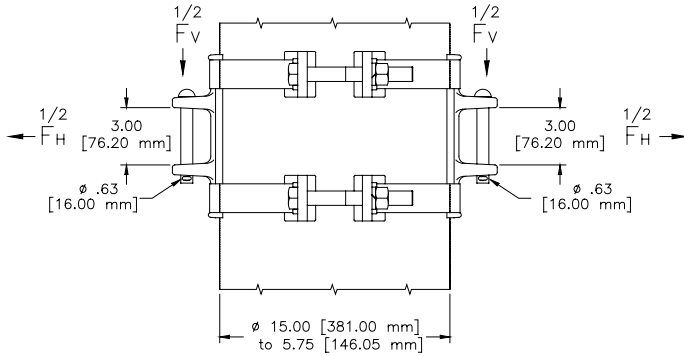


057180-3001

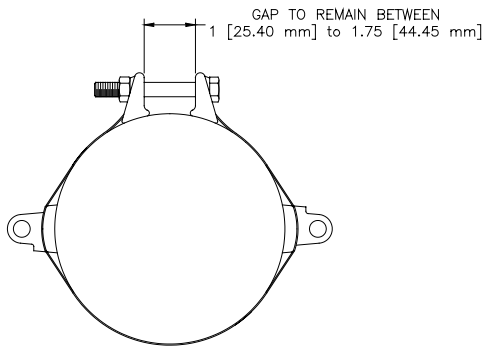
THIS DOCUMENT CONTAINS PROPRIETARY AND CONFIDENTIAL DATA OF IMPULSE NC, INC. NO DISCLOSURE, REPRODUCTION OR ANY USE OF ANY PART THEREOF SHALL BE MADE WITHOUT WRITTEN PERMISSION OF IMPULSE NC, INC.

**Pole Attachments**

### IMPulse NC, Inc. Double Hinge Pole Band



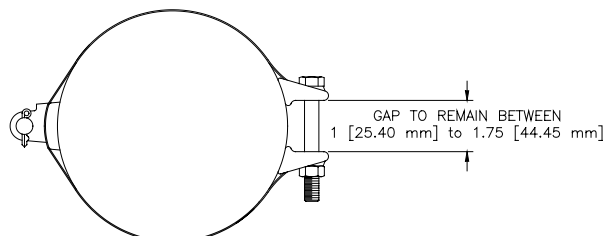
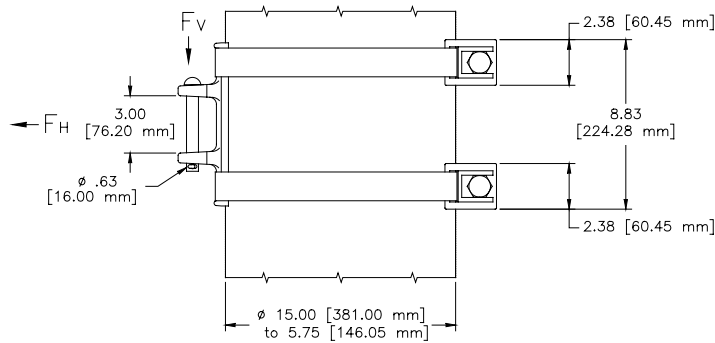
Double Hinge Pole Bands are designed for cantilever assemblies. The Double Strap Pole Band utilizes high strength stainless steel banding and hot-dipped galvanized ductile iron clamps, brackets and hinges. Stainless steel banding allows for a variety of uses in both tapered and straight tubular steel poles. The version shown to the left represents the dual-hinge application Double Strap Hinge Pole Band. This pole band allows for dual cantilever applications as well as a variety of termination options. These pole bands are rated with an ultimate horizontal load ( $F_H$ ) of [1/2 - 10,000 lbs.] or 5,000 lbs. each side. The ultimate vertical load ( $F_V$ ) of [1/2 - 5,000 lbs.] or 2,500 lbs. each side.



057217-3002

### IMPulse NC, Inc. Single Hinge Pole Band

The version shown to the right represents the single-hinge pole band application. This pole band allows for single cantilever applications. These pole bands are rated with an ultimate horizontal load ( $F_H$ ) of 10,000 lbs. each side. The ultimate vertical load ( $F_V$ ) of 5,000 lbs. each side.

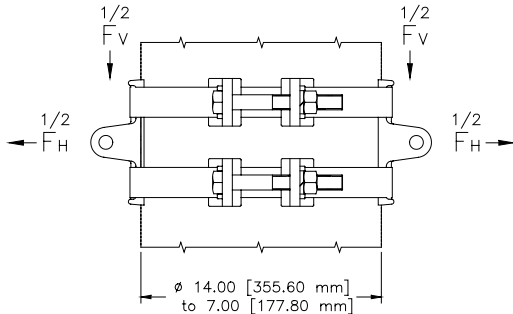


057217-3001

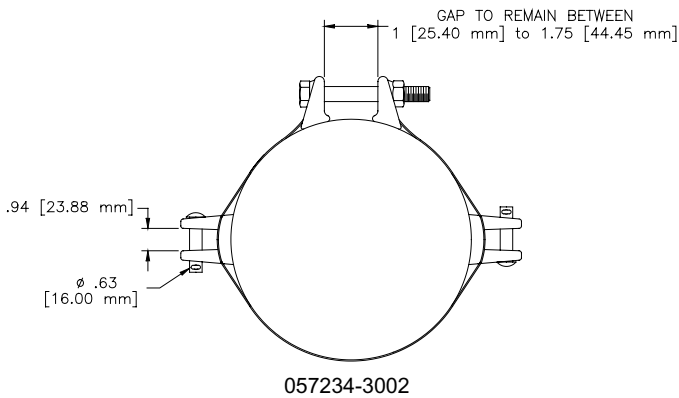
THIS DOCUMENT CONTAINS PROPRIETARY AND CONFIDENTIAL DATA OF IMPULSE NC, INC. NO DISCLOSURE, REPRODUCTION OR ANY USE OF ANY PART THEREOF SHALL BE MADE WITHOUT WRITTEN PERMISSION OF IMPULSE NC, INC.

# Pole Attachments

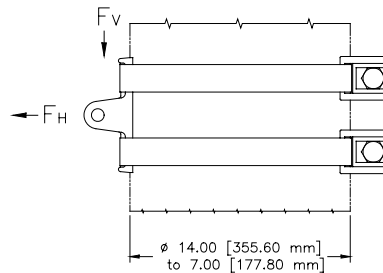
**IMPulse NC, Inc. Double Clevis Pole Band**



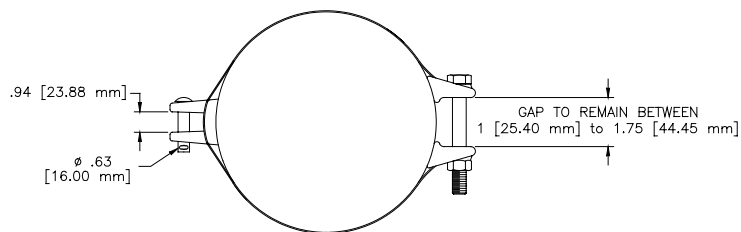
Double Strap Clevis Pole Bands are designed for pull-off assemblies. The Double Strap Pole Band also utilizes high strength stainless steel banding and hot-dipped galvanized ductile iron clamps and brackets. This use of stainless steel banding allows for a variety of uses in both tapered and straight tubular steel poles. The version shown to the left represents the dual-clevis application Double Strap Hinge Pole Band. This pole band allows for dual pull-off applications as well as a variety of termination options. These pole bands are rated with an ultimate horizontal load ( $F_H$ ) of [1/2 - 10,000 lbs.] or 5,000 lbs. each side. The ultimate vertical load ( $F_V$ ) of [1/2 - 5,000 lbs.] or 2,500 lbs. each side.



**IMPulse NC, Inc. Single Clevis Pole Band**



The version shown to the right represents the single-clevis pole band application. This pole band allows for single pull-off applications. These pole bands are rated with an ultimate horizontal load ( $F_H$ ) of 10,000 lbs. each side. The ultimate vertical load ( $F_V$ ) of 5,000 lbs. each side.

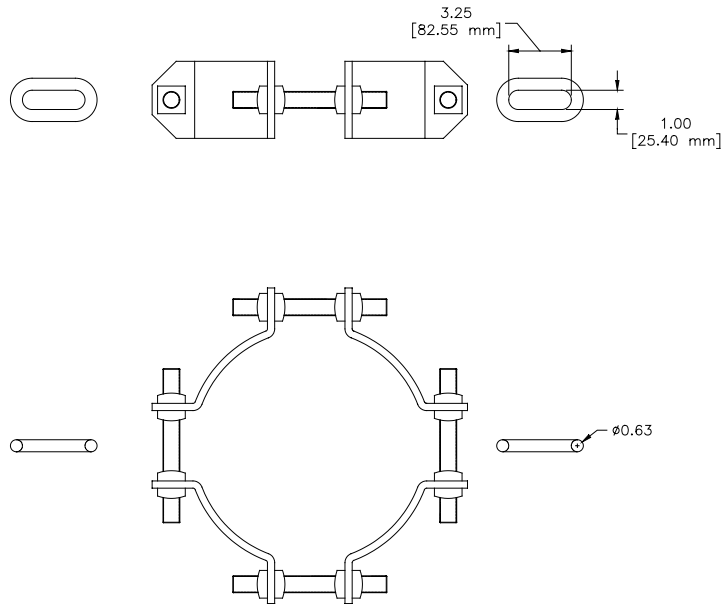


THIS DOCUMENT CONTAINS PROPRIETARY AND CONFIDENTIAL DATA OF IMPULSE NC, INC. NO DISCLOSURE, REPRODUCTION OR ANY USE OF ANY PART THEREOF SHALL BE MADE WITHOUT WRITTEN PERMISSION OF IMPULSE NC, INC.

**Pole Attachments**

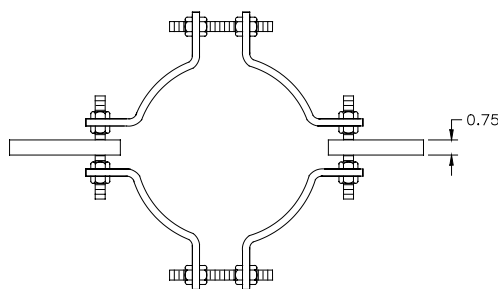
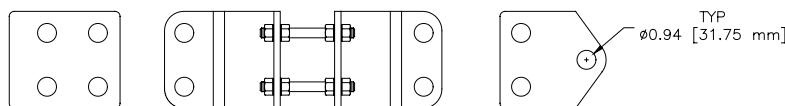
### IMPulse NC, Inc. 4-Piece Pole Bands, Light

Light 4-Piece Pole Bands are used for messenger and contact wire fixed terminations, mid-point anchors and down guys. They are manufactured of high strength hot-dipped galvanized steel. IMPulse NC, Inc. provides two basic types of 4-Piece Pole Bands. The “Light” version represented to the right is used in applications which do not exceed 12,000 lbs. The 4-Piece Pole Band for light applications can be furnished with or without the links as shown. See the chart below for selecting the 4-Piece Pole Band required per application.



Part Number	Finish	Pole Band for Dia.	Weight/lbs.	Accessories
055851-3001	PT-9713-00	9"-12"	20	none
055851-3002	PT-9713-00	7"-10"	18	with links
055851-3003	PT-9713-00	13"-16"	26	none
055851-3004	PT-9713-00	9"-12"	20	with links
055851-3005	PT-9713-00	7"-10"	18	none
055851-3006	PT-9713-00	11"-14"	23	none

### IMPulse NC, Inc. 4-Piece Pole Bands, Heavy



700356-X

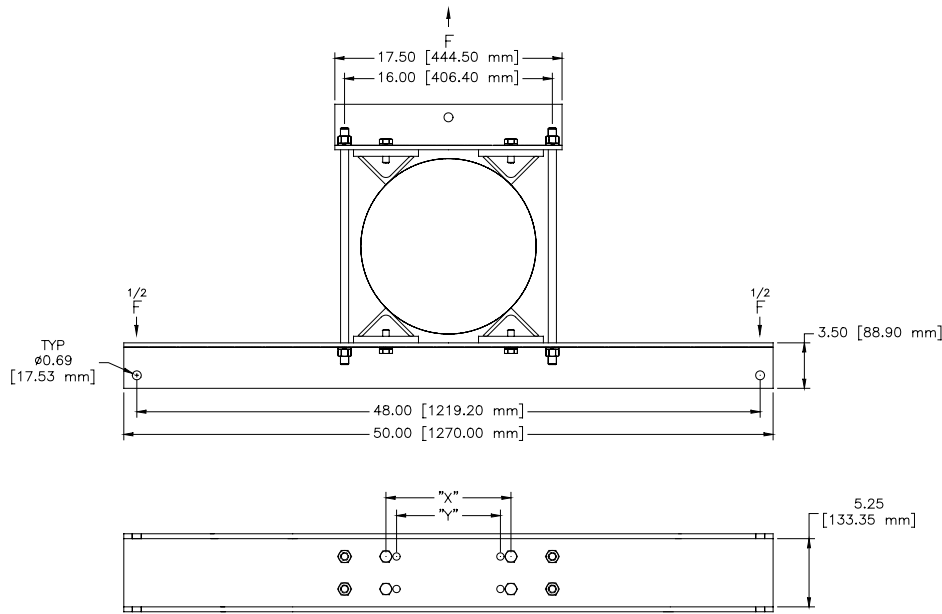
Heavy 4-Piece Pole Bands are designed for applications with very heavy loading. This pole band is used in counterweight terminations, midpoint applications, counterweight stop assemblies and situations requiring heavy guying attachments. Heavy 4-Piece Pole Bands are best utilized in applications which do not exceed 20,000 lbs. (with 45 degree guy attachments) and 12,500 lbs. (with 30 degree guy attachments).

THIS DOCUMENT CONTAINS PROPRIETARY AND CONFIDENTIAL DATA OF IMPULSE NC, INC. NO DISCLOSURE, REPRODUCTION OR ANY USE OF ANY PART THEREOF SHALL BE MADE WITHOUT WRITTEN PERMISSION OF IMPULSE NC, INC.

# Pole Attachments

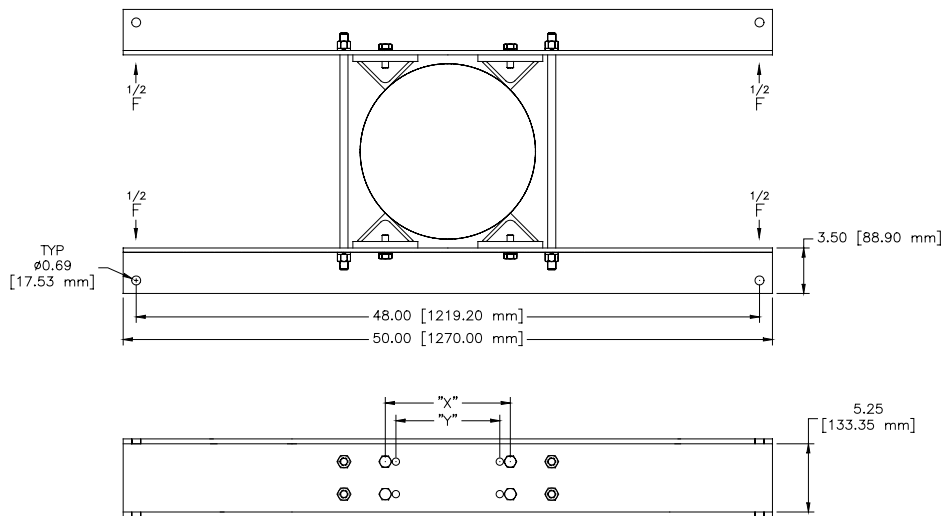
### IMPulse NC, Inc. Bracket Style Pole Bands

Bracket Style Pole Bands are available to provide many cantilever mounting methods. Mounting methods include two, three and four cantilevers on one pole. Multiple cantilever mounting brackets are typically used at overlaps, crossovers and turnouts. Bracket Style Pole Bands are manufactured of hot-dipped galvanized steel channel with galvanized hardware. Bracket Style Pole Bands are best utilized when forces do not exceed 6,000 lbs. (F) per side. The long side of the Bracket Style Pole Band may share the 6,000 lbs. (1/2 F) load by supplying 3,000 lbs. to each mounting location. IMPulse NC, Inc. Bracket Style Pole Bands are furnished with pre-drilled holes which allow for back stop adjustment. This adjustment allows for greater application flexibility as noted below:



059326-3002

Back Stop Position Adjustment	
X	Pole Diameter: 7.25 [184.15 mm] to 10.38 [263.65 mm]
Y	Pole Diameter: 10.38 [263.65 mm] to 13.50 [342.90 mm]



059326-3003

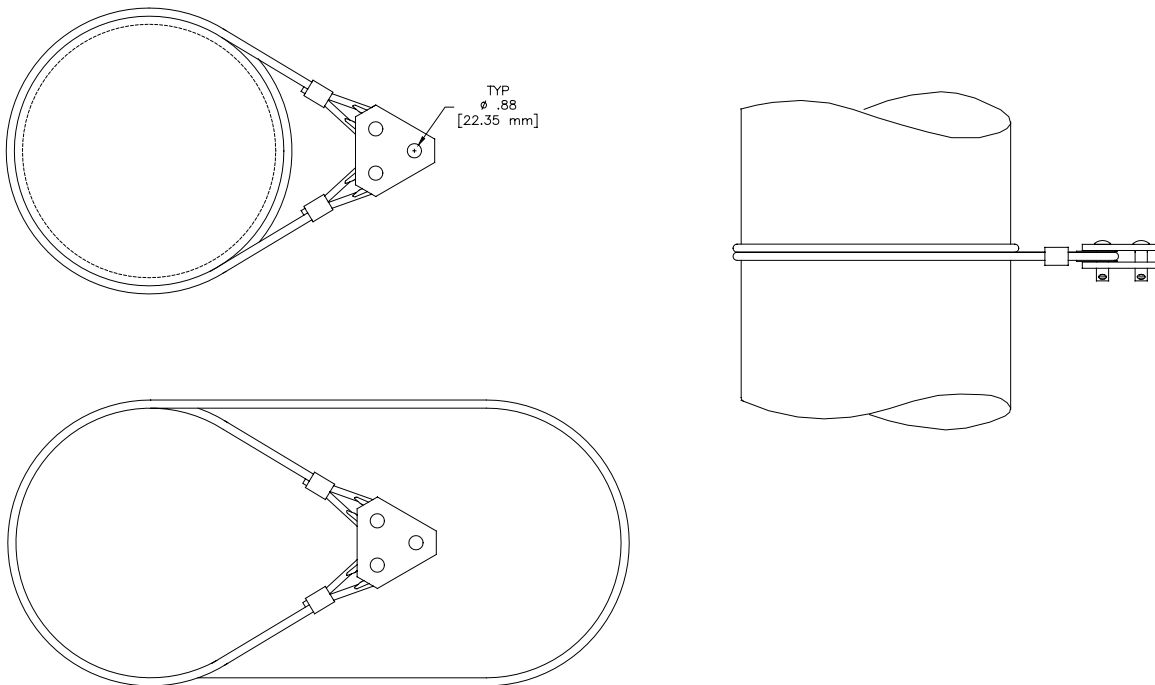
THIS DOCUMENT CONTAINS PROPRIETARY AND CONFIDENTIAL DATA OF IMPULSE NC, INC. NO DISCLOSURE, REPRODUCTION OR ANY USE OF ANY PART THEREOF SHALL BE MADE WITHOUT WRITTEN PERMISSION OF IMPULSE NC, INC.

# Pole Attachments



### IMPulse NC, Inc. Wrap Style Pole Bands

The Wrap Style Pole Band is an adjustable wrap which allows its use in many high strength applications. This style of pole band is used on cross spans, headspans, spring tensioners, backbones and pull-offs. There are two (2) types of Wrap Style Pole Bands provided by IMPulse NC, Inc. The .38 [9.65 mm] version which has a strength rated at 18,000 lbs., and the .50 [12.70 mm] version which is rated at 30,000 lbs. These Wrap Style Pole Bands are manufactured of stainless steel wire rope, copper compression sleeves, and hot-dipped galvanized steel yoke plates and hardware.



	Part Number	Pole Dia.	Application
.38 wrap	0694476-3002	9.50 in. [241.30 mm]	Messenger & Contact Wire Termination
	0694476-3003	11.50 in. [292.10 mm]	Messenger & Contact Wire Termination
	0694476-3004	13.00 in. [330.20 mm]	Messenger & Contact Wire Termination
	0694476-3005	15.00 in. [381.00 mm]	Messenger & Contact Wire Termination
.50 wrap	0694200-3002	9.50 in. [241.30 mm]	Messenger & Contact Wire Termination
	0694200-3003	11.50 in. [292.10 mm]	Messenger & Contact Wire Termination
	0694200-3004	13.00 in. [330.20 mm]	Messenger & Contact Wire Termination
	0694200-3005	15.00 in. [381.00 mm]	Messenger & Contact Wire Termination

THIS DOCUMENT CONTAINS PROPRIETARY AND CONFIDENTIAL DATA OF IMPULSE NC, INC. NO DISCLOSURE, REPRODUCTION OR ANY USE OF ANY PART THEREOF SHALL BE MADE WITHOUT WRITTEN PERMISSION OF IMPULSE NC, INC.

# Pole Attachments